

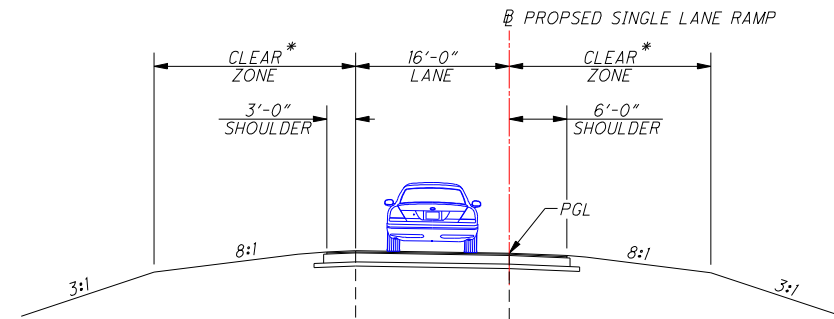
IR 75 - TYPICAL SECTIONS

HAM-75-2.30

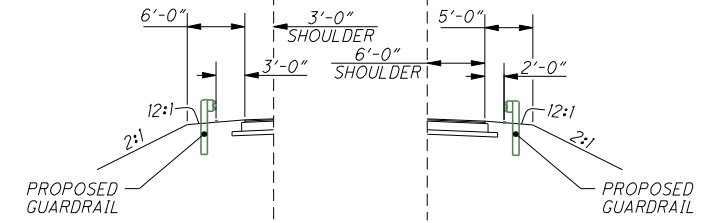
q:\co04\road\step 6\afa\ir75_typsec.dgn 2/18/2007 5:25:28 PM gohershey

MILL CREEK EXPRESSWAY
HAM-75-2.30 PID#76257

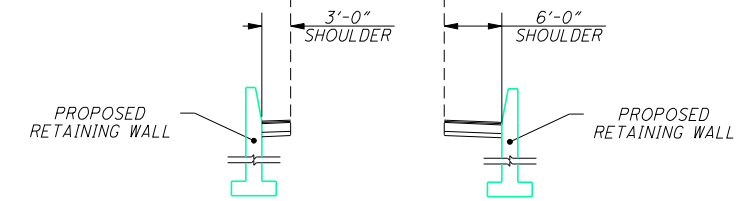
NOTE: SIDE SLOPES ARE SHOWN FOR ILLUSTRATION PURPOSES ONLY
 * = CLEAR ZONE WIDTH VARIES ACCORDING TO SPEED



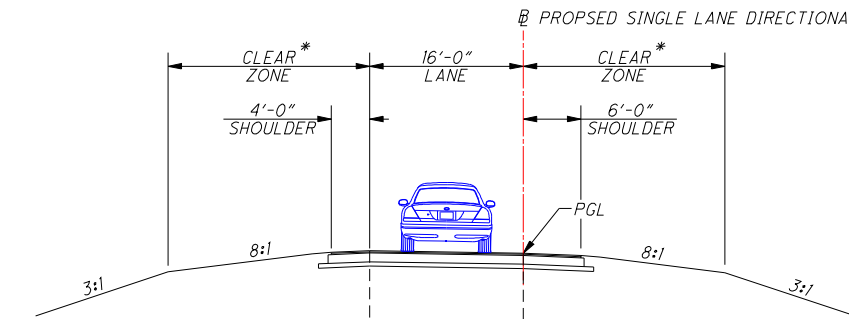
**SINGLE LANE
 NORMAL RAMP SECTION**



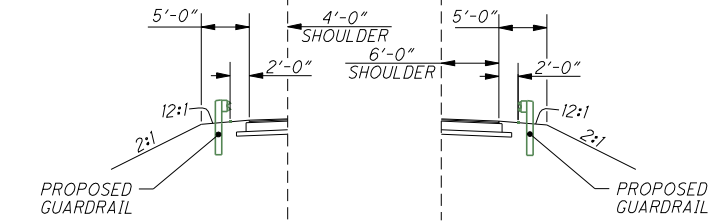
GUARDRAIL SECTION



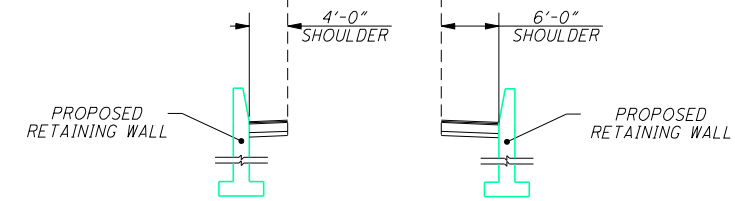
RETAINING WALL SECTION



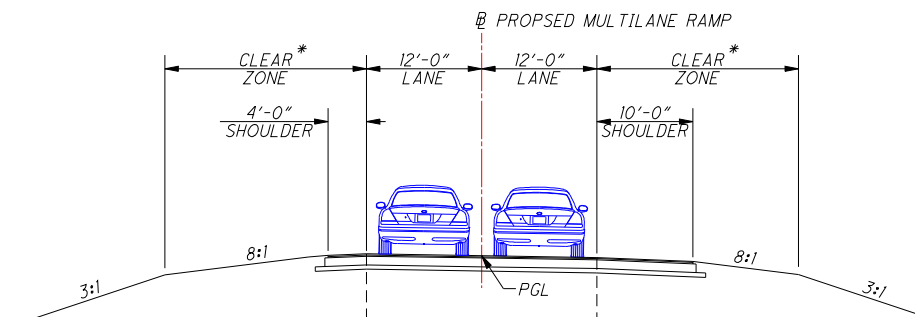
**SINGLE LANE
 DIRECTIONAL ROADWAY SECTION**



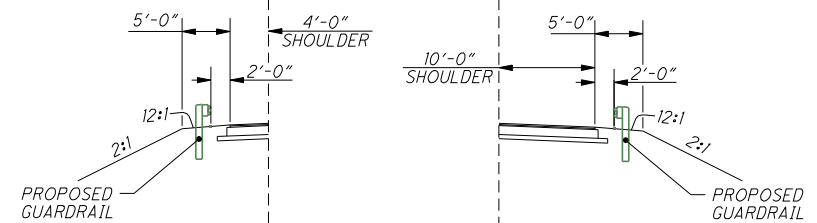
GUARDRAIL SECTION



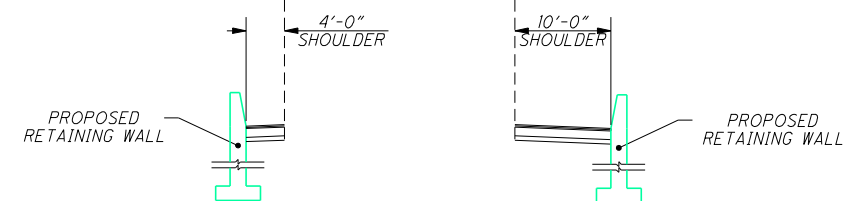
RETAINING WALL SECTION



**MULTILANE
 NORMAL RAMP SECTION**



GUARDRAIL SECTION



RETAINING WALL SECTION

c:\CO04\0044\Road\Step 6\AFA\ramp_typsec.dgn 2/18/2007 8:09:24 PM gahershey

CALCULATED
 CHECKED

PROPOSED RAMP - TYPICAL SECTIONS

HAM-75-2.30



**MILL CREEK EXPRESSWAY
 HAM-75-2.30 PID#76257**